

BAKEWISE

professional bakery equipment

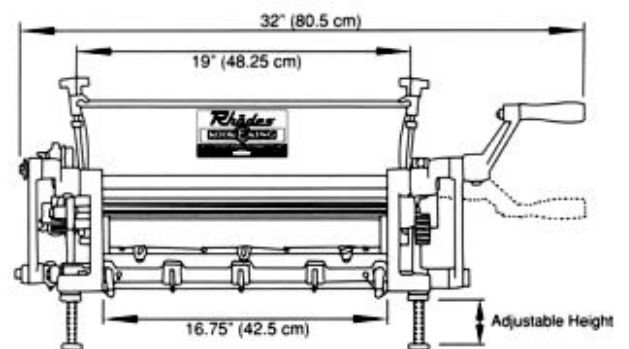
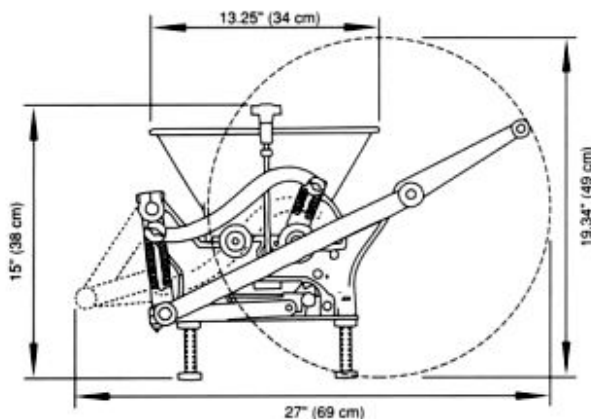
KOOK E KING BENCH MODEL



LOW COST AUTOMATION OF
COOKIE PRODUCTION



- Accepts many types of dough (chocolate chips, raisins and chopped nuts)
- Makes 300 cookies per minute (18,000 pieces per hour)
- Holds 18 Kg of dough in hopper
- Cookie weight ranges between 7 -85 grams
- Drop height and cookie spacing are easy to adjust
- Change cookie die in minutes
- All parts are submersible for cleaning
- No electricity required



Equipment supplies and 24/7 service to the baking industry

5 Blackman Cr, South Windsor, NSW, 2756, Australia

P: +61 2 8004 6105

www.bakewise.com.au